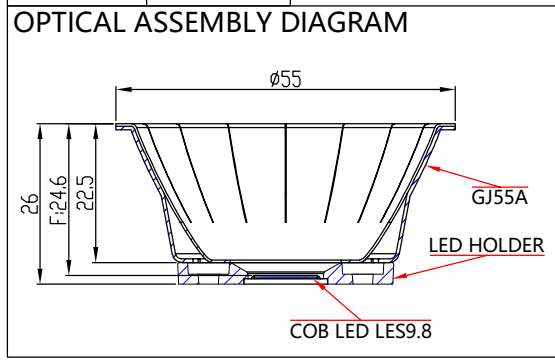


Light Source	CITIZEN CLU028 LES 9.8mm
Design Angle	$24^\circ \pm 3^\circ$ (M)
Light EFFICIENCY	
LED Holder	SR: 92.70.492.00
	PI: 99.02.73.200
	BJB47.360.1025



- 技术要求:
 1. "*" 标记为重点控制尺寸。
 2. 未注公差按公差表。
 3. 产品未注圆角与拔模斜度按3D。
 4. 产品外观按《N-SIP-QA-04 铝反光杯检验标准》。

PRODUCT BOM				
NO.	PRODUCT NAME	PRODUCT CODE	QTY	MATERIAL/FINISH
①	GJ55-REF-24D -18H23		1	t=0.4mm High reflectivity aluminum material (sand surface)
②	GJ55-WK-24D		1	T=0.6mm 1060AL

标记 MARK		处数 NO. OF MODIF.	更改内容 MODIFICATIONS		签名 SIGNED BY	更改日期 MODIF. DATE	版本 VERSIONS	
设计 DESIGNER		RBY		制图 DRAWN BY	比例 SCALE		Nata® V1.0	
工艺 TECHNICAN		审核 CHECKED BY		日期 DATE (DD-MM-YYYY)	1:1		产品编码 PRODUCT CODE	
批准 APPROVED BY		日期 DATE (DD-MM-YYYY)		08-04-2026	视角 1st ANGLE PROJECTION		产品名称 PRODUCT NAME	
				08-04-2026	部件产品图 COMPONENT PRODUCT DRAWING		客户 CUSTOMER	
				08-04-2026	SHEET 1 OF 1		客户产品编号 CUSTOMER PRODUCT CODE	
				08-04-2026	mm		91.02.3227.000	
				08-04-2026			2-3227-LM	
				08-04-2026			NT	
				08-04-2026			GJ55M-A-18H23反光杯-24D	

DIMENSION TOLERANCE TABLE (UNLESS OTHERWISE STATED)							
> 0-5	> 5-30	> 30-90	> 90-150	> 150-250	> 250-400	> 400-700	
±0.15	±0.2	±0.4	±0.5	±0.8	±1.5	±2	

PUNCH TOLERANCE TABLE (UNLESS OTHERWISE STATED) (ANGLE)							
> 0-10	> 10-50	> 50-120	> 120-250	> 250-360			
±1°	±0.5°	±0.3°	±0.2°	±0.166°			